

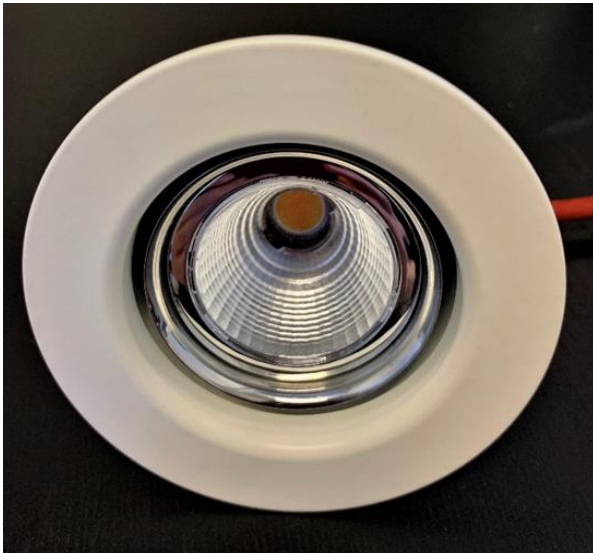
# TDL 95 DW



PRODUCT CODE # 95WCDWAP062

## RECESSED LED DOWNLIGHT

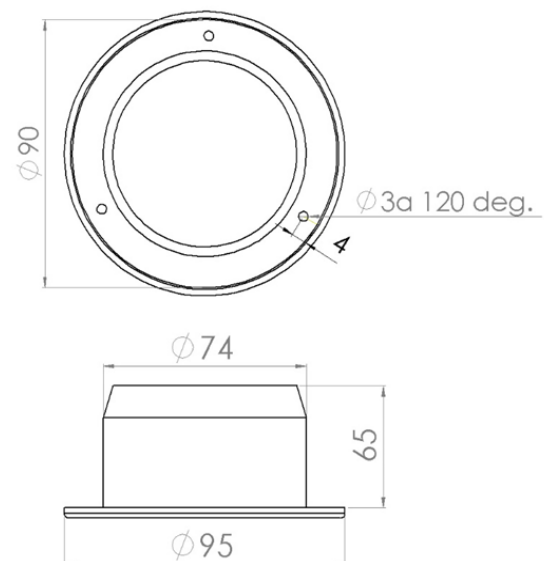
### LIGHT SPECIFICATION



- LED module: **Tridonic COB Sunset Dim-to-Warm**
- Color temp: **1800-2700K**
- CRI: **< 90**
- Lumen output: **710lm**
- Power: **7.3W**
- Beam angle: **48°**
- Tilt: **Adjustable**
- Trim color: **NCS S 0500-N**
- Dimensions (D x H): **ø90 x 70 mm > installation depth**
- Body material: **Aluminium, steel housing > B0**
  - (B15 with specific ceiling)
- IP class: **IP20**
- Lumen maintenance:
  - Tc nom 85°C **L70B20 – 50 000h**
  - Tc 65°C **L80B10 – 50 000h**

### ADDITIONAL SPECIFICATION

- Output current: **208 mA**
- Output voltage: **35 V**
- Rset resistor: **24kΩ**
- Driver power: **11W**
- Power supply: **220-240V 0/50/60Hz**
- Electrical interface: **0,2 m connection cable**
- Connector: **WAGO MIDI 770-1115**
- Working temp. range: **-20 °C ... - + 45°C**
- Cutout: **ø74mm**
- Weight: **580g (total)**
- Fixing method: **Fixing with screws**



**TVV Marine Lighting Oy,**

Jousitie 2C, 20760 Piispanristi, Finland

mobile : +358 440501007 | [info@tvvmarinelighting.com](mailto:info@tvvmarinelighting.com) | [www.tvvmarinelighting.com](http://www.tvvmarinelighting.com)