

# TDL 60 Updown IP21



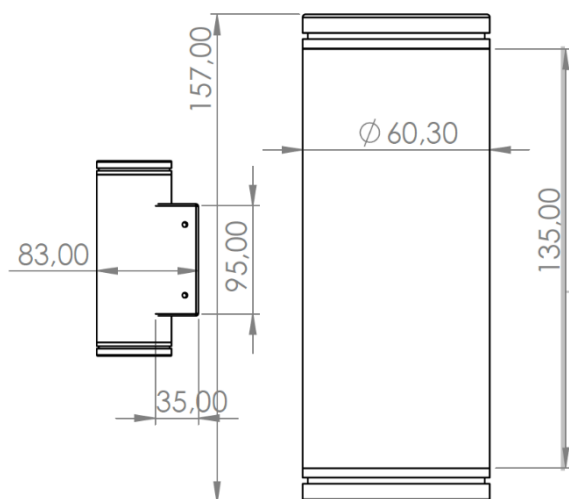
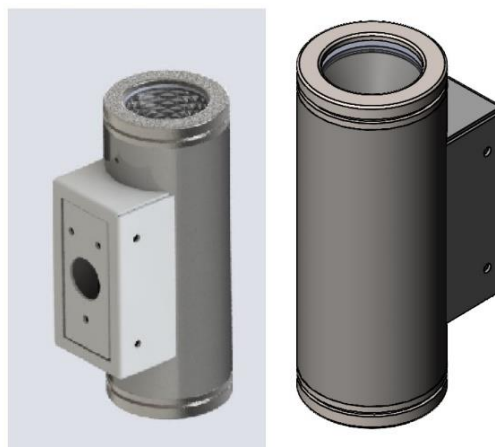
## UP&DOWNLIGHT UNIT

### LIGHT SPECIFICATION

- LED module: Philips LED COB
- Color temp: 4000K
- CRI: > 90
- Lumen output: 2x500lm
- Luminaire power: 2x8W
- Beam angle: 2x20°
- Trim color: Polished Stainless Steel
- IP-Class IP21
- Lumen maintenance:
  - Tc life 75°C L80B10 – 50 000h
  - Tc nom 85°C L70B10 – 50 000h

### ADDITIONAL SPECIFICATION

Driver	External Osram OTi Dali 15 driver
Dimming	DALI
Wall/ceiling conn.	Wall connected with screws
Working temp. range	-20°C ... +45°C
Body material	Stainless Steel
Dimensions	157mm x 60.3mm x 83mm



TVV Marine Lighting Oy,  
Jousitie 2C, 20760 Piispanristi, Finland

mobile : +358 440501007 | [info@tvvmarinelighting.com](mailto:info@tvvmarinelighting.com) | [www.tvvmarinelighting.com](http://www.tvvmarinelighting.com)